

SLIDING SERIES E30

CONDOMINIUM SOLUTION

Electro-mechanical reduction gear, for sliding gates up to 800 kg. The main structure is in die-cast aluminium, with limited space. Underground motor, with foundation box.

VERSIONS

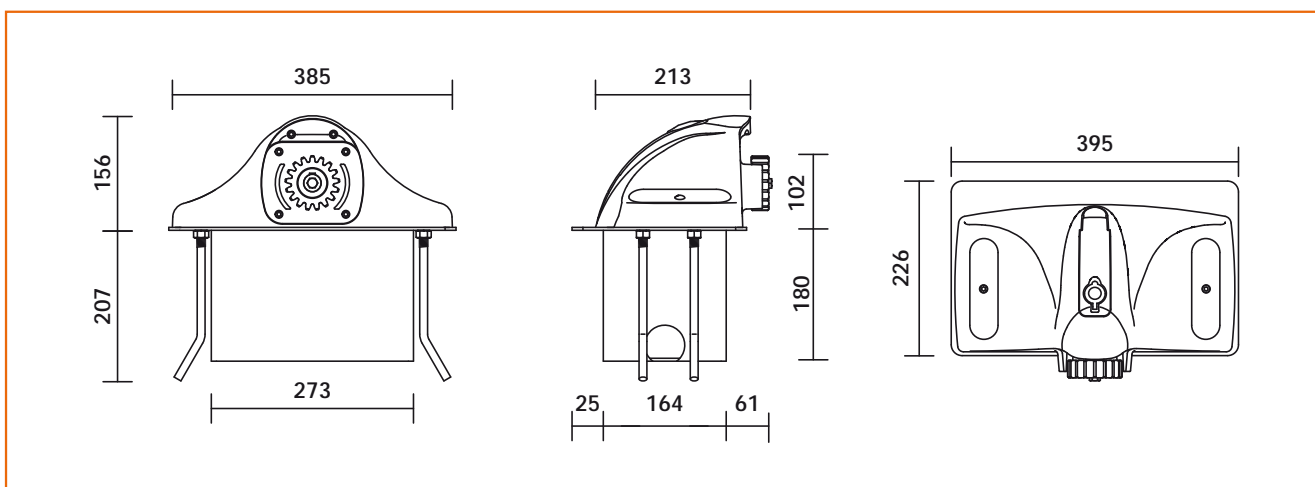
- E30/800** 230V • encoder • magnetic gate stop • with cold galvanised steel foundation box • without electronic
- E30/801** 230V • encoder • magnetic gate stop • without cold galvanised steel foundation box • without electronic
- FU800** cold galvanised steel foundation box



TECHNICAL DATA

E30		E30/800
		E30/801
POWER SUPPLY	V	230/50Hz
RATING	W	350
THRUST	N	500
DUTY CYCLE	IP	67
JOGGING	%	50
MOTOR OVERLOAD CUTOUT	°C	150
WORKING TEMPERATURE	°C	-20+70
SPEED OF MOVEMENT	m/min	9,5
MAX GATE WEIGHT	Kg	800

DIMENSIONS



ACCESSORIES



GA550
galvanised steel rack
22x22x1000 module 4



GA551
galvanised steel rack
30x12x1000 module 4
complete with spacers
and screws

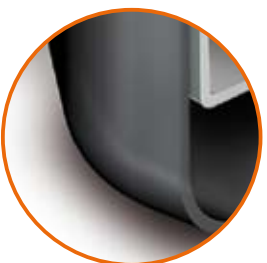


GA552
nylon rack module 4
with 4 connectors
L 1000

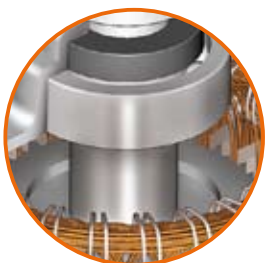


GA553
nylon rack module 4
with 6 connectors
L 1000

“E30 style Roger Technology conceived with logic”



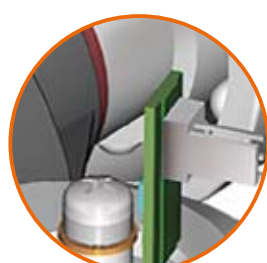
ALWAYS DRY
A strong cover, guarantee the seal to the motor.



1400 PERFECT AND SILENT REVS FOR MINUTE
2 special precision bearings for electric motors protected by double lip seals and lubricated for life with high temperature grease.



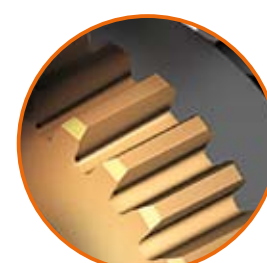
ALL-ROUND PROTECTION
Electric motor protected by a sensitive safety thermostat.



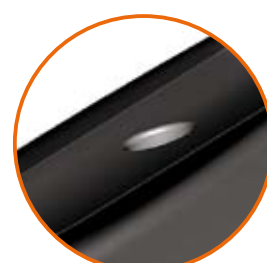
CONTROL AND SAFETY
Optical encoder for constant control of gate movement.



SURE RELEASE
The solid die-cast aluminium release handle with customized key allows manual movement of the gate at all time.



BRONZE AND STEEL FOR PERFECT MATING
Bronze crown gear and steel worm screw with precision finishing and hardening of the thread to ensure perfect, low-noise and durable mating.



STRONG AND SURE
Realized for support any weight.