

## SWING SERIES G20

### MODULAR AND IRRESISTIBLE COLOURS

Electro-mechanical reduction gear for swing gate. The main structure is made in galvanised steel and aluminium. The cover is made in ABS with the possibility to choice different colours.

### VERSION

**G20/330** 24V • mechanical stop in opening • encoder



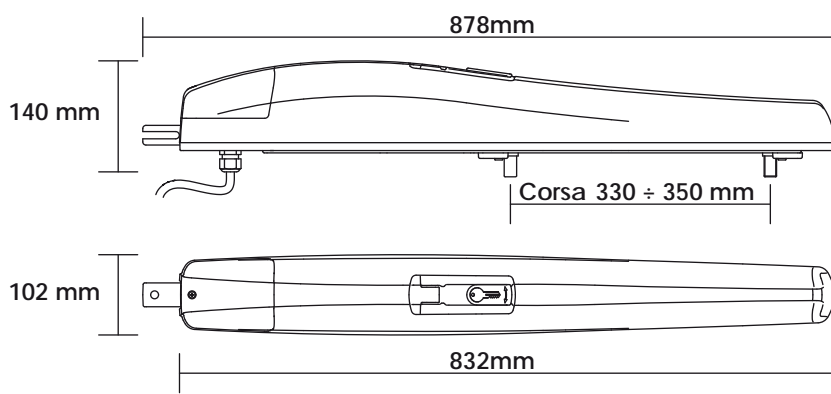
### TECHNICAL DATA

#### G20/330

#### G20

POWER SUPPLY	v	24
RATING	W	90
THRUST	N	2000
TRAVEL	mm	330
TIME FOR OPEN	s	da 15" a 30"
DUTY CYCLE	%	intensive use
WORKING TEMPERATURE	°C	-20+70
PROTECTION RATING	IP	43

### DIMENSIONS



### ACCESSORIES



**KT 201**  
long front hinge plate



**KT 202**  
short front hinge plate



**KT 203**  
long rear hinge plate



**KT 204**  
short rear hinge plate



**KT 205**  
3 hinge plates long series kit

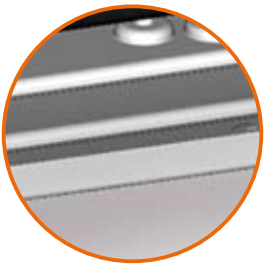
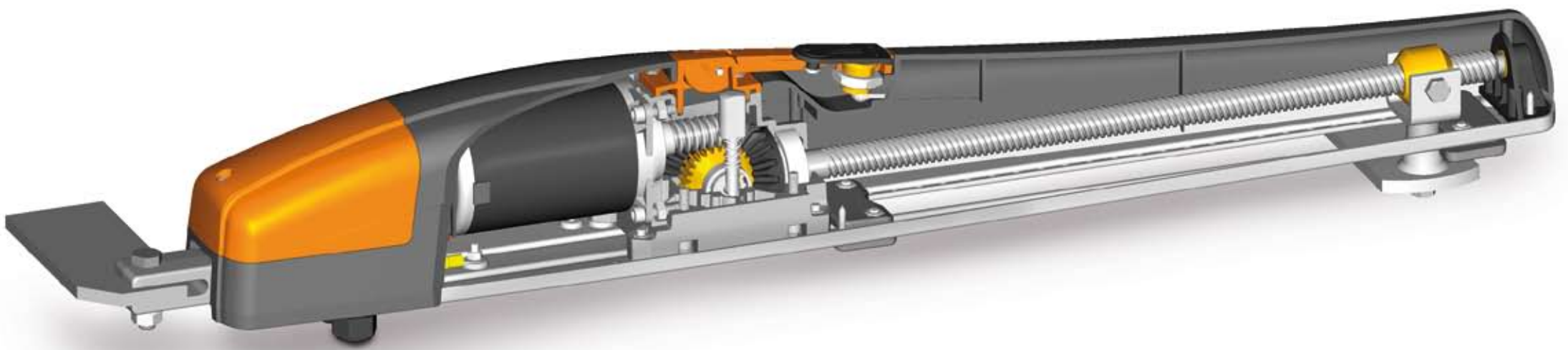


**KT 206**  
3 hinge plates short series kit



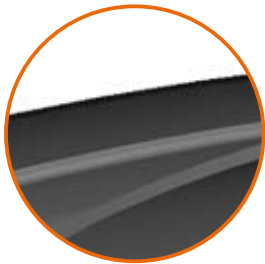
**MC 766**  
mechanical stop for G20

# "G20 style Roger Technology conceived with logic"



#### **MAIN STRUCTURE**

Steel casting bases, in which all components are fixed, this one assures a considerable sturdiness



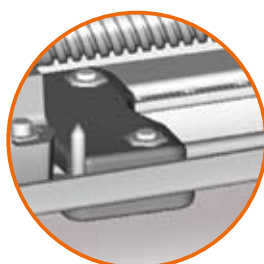
#### **COLOURED ABS COVER**

Coloured ABS cover: it allows to personalize the colour, choosing from different colours range. The cover thickness grant You a shock resistance.



#### **MODULAR MOTOR**

You can choice between 230VAC and 24VDC motor. Bronze gear motor. Transmission with steel conic torque.



#### **MECHANICAL BLOCK**

Mechanical block in opening and closing, it allows an highly accurate adjusting



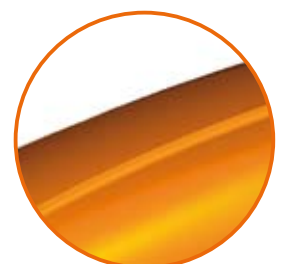
#### **SMOOTH AND GRADUAL RELEASE**

The release handle comes to customized keys and allows the gate to be moved manually with a smooth, gradual movement thanks to a spring system.



#### **BRONZE "STEEL IS MY FAVOURITE"**

The lead screw has the hardest task of all the parts, that of transmitting the energy of the motor to the gate. Made in bronze and coupled to the low-speed screw, it efficiently accomplishes its task.



#### **EASY ELECTRIC CONNECTIONS**

The electric connections are located on the above part, they are protected by a sturdy coloured cover.