

## SWING SERIES G30

### STURDY AND POWERFUL FOR LARGES APERTURES

Electro-mechanical reduction gear available in 4 versions, for sliding gates up to 1800, 2200 kg. The main structure is in die-cast aluminium, stove-enamelled with specific epoxy resins for outdoors.

### VERSIONS

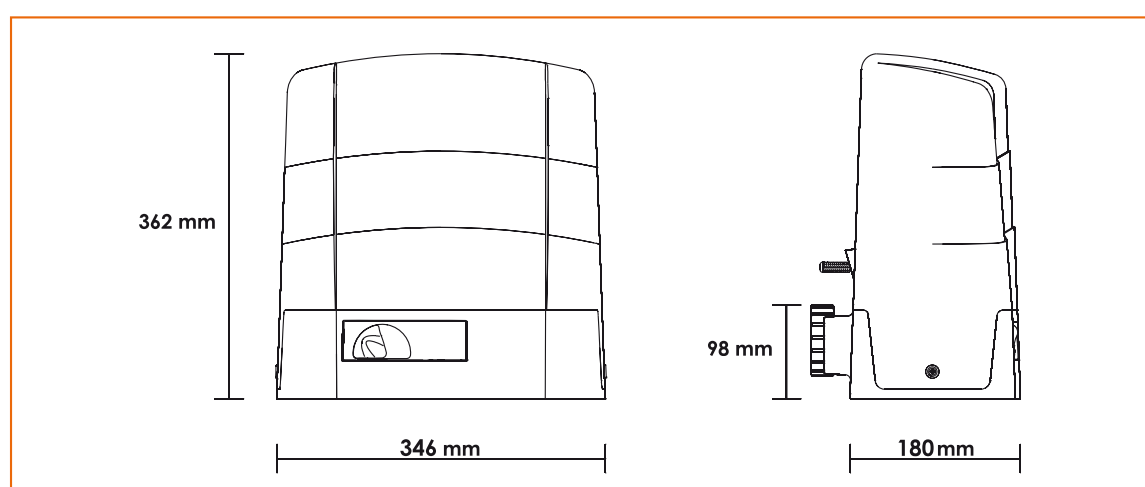
- G30/1803** 230V • with built-in control unit • gate stop
- G30/1804** 230V • with built-in control unit • magnetic gate stop
- G30/2203** 230V • with built-in control unit • gate stop
- G30/2204** 230V • with built-in control unit • magnetic gate stop



### TECHNICAL DATA

G30		G30/1803	G30/2203
		G30/1804	G30/2204
POWER SUPPLY	V	230	230
RATING	W	520	580
THRUST	N	1200	1500
DUTY CYCLE	%	50	50
MOTOR OVERLOAD CUTOFF	°C	150	150
WORKING TEMPERATURE	°C	-20+70	-20+70
SPEED OF MOVEMENT	m/min	9,5	9,5
MAX GATE WEIGHT	Kg	1800	2200

### DIMENSIONS



### ACCESSORIES



**GA550**  
galvanised steel rack  
22x22x1000 module 4



**GA551**  
galvanised steel rack  
30x12x1000 module 4  
complete with spacers and  
screws



**GA552**  
nylon rack module 4  
with 4 connectors  
L 1000



**GA553**  
nylon rack module 4  
with 6 connectors  
L 1000



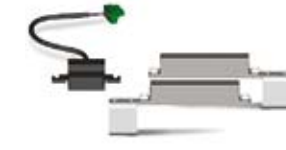
**MC751**  
gate stop  
for control unit R70/1AC



**MC752**  
gate stop kit  
for control unit R70/1AC



**MC753**  
magnetic gate stop  
for control unit R70/1AC



**MC754**  
magnetic gate stop kit  
for control unit R70/1AC



**MC762**  
gate stop  
for control unit H70/100AC



**MC763**  
gate stop kit  
for control unit H70/100AC



**MC764**  
magnetic gate stop  
for control unit H70/100AC



**MC765**  
magnetic gate stop kit  
for control unit H70/100AC



**MC772**  
gate stop  
for control unit H70/101AC



**MC773**  
gate stop  
kit for control unit H70/101AC



**MC774**  
magnetic gate stop  
for control unit H70/101AC



**MC775**  
magnetic gate stop kit  
for control unit H70/101AC



**MC771**  
safety micro  
for control unit H70/101AC

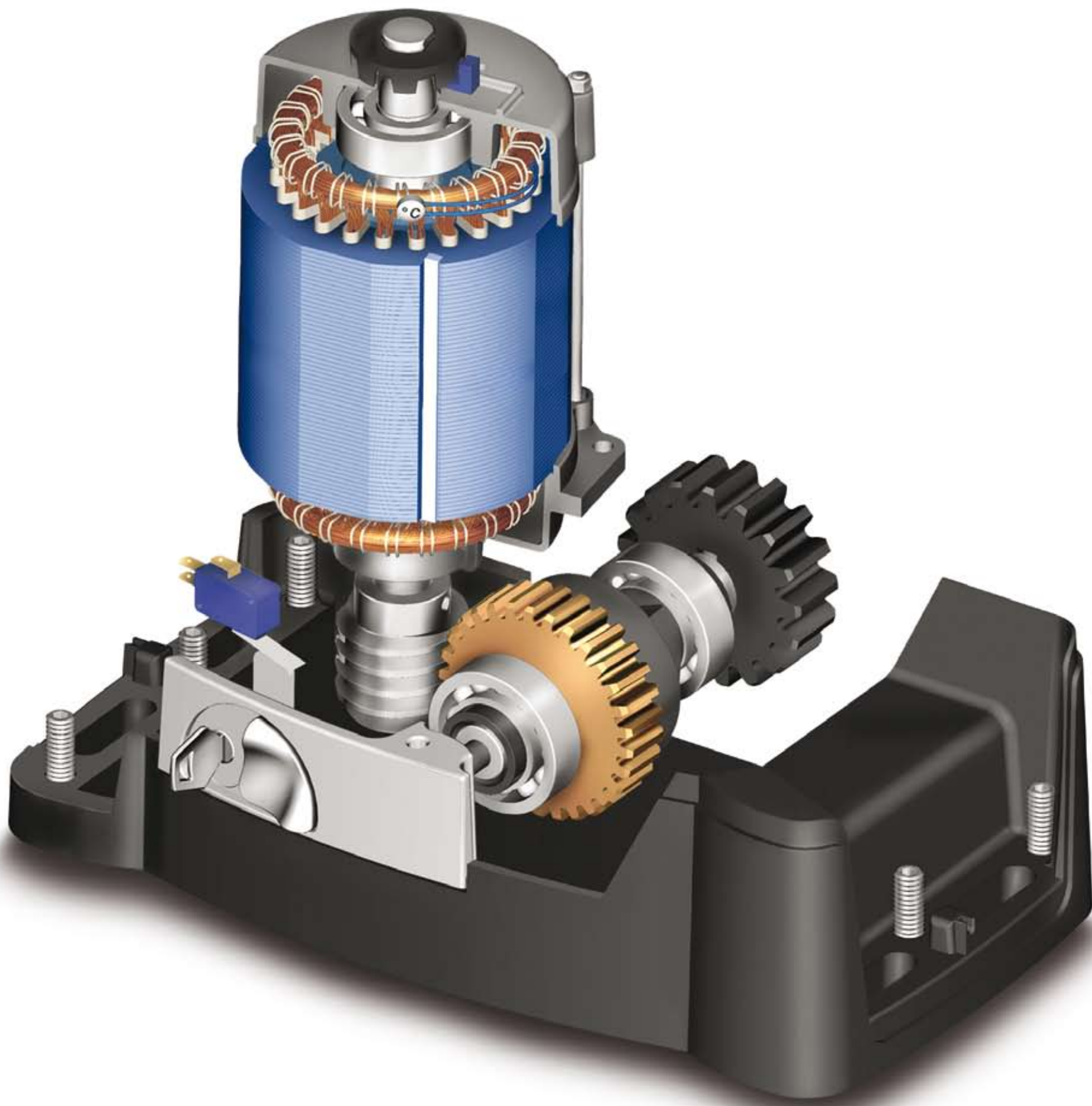


**KT215**  
fixing plate  
complete with stay  
bolts and screws  
for G30



**KT222**  
fixing plate  
raised with stay bolts  
and screws for G30

# "G30 style Roger Technology conceived with logic"



#### **ALL-ROUND PROTECTION**

Electric motor protected by a sensitive safety thermostat.



#### **SURE RELEASE**

The solid die-cast aluminium release handle with customized key allows release and manual movement of the gate at all time.



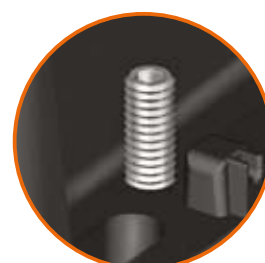
#### **EVERYTHING IN PLACE**

2 seals ensure perfect tightness with regard to the grease inside the reduction gear and at the same time keep water out.



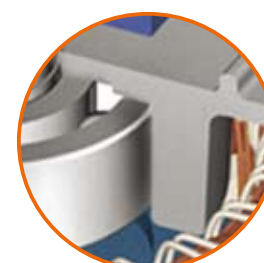
#### **BRONZE AND STEEL FOR PERFECT MATING**

Bronze crown gear and steel worm screw with precision finishing and hardening of the thread to ensure perfect, low-noise and durable mating.



#### **PRECISE FIXING**

6 points for meticulous levelling to obtain best support.



#### **PRECISELY CENTRED**

All the housing of the bearings and the motor assembly are turned and ensure long-lasting constant, perfect and silent rotation.



#### **CONTROL AND SAFETY**

Optical encoder for constant control of gate movement.