

SERIES H20 SWING GATE AUTOMATION

NEW ELECTRO-MECHANICAL SYSTEM

Electro-mechanical reduction gear available in 4 versions, for hinged gates up to 5 metres wide at the most. The main frame is in die-cast aluminium stove-enamelled with specific epoxy resins for outdoor.

VERSIONS

H20/370 short fast • without electronic

H20/375 short slow • without electronic

H20/550 long fast • without electronic

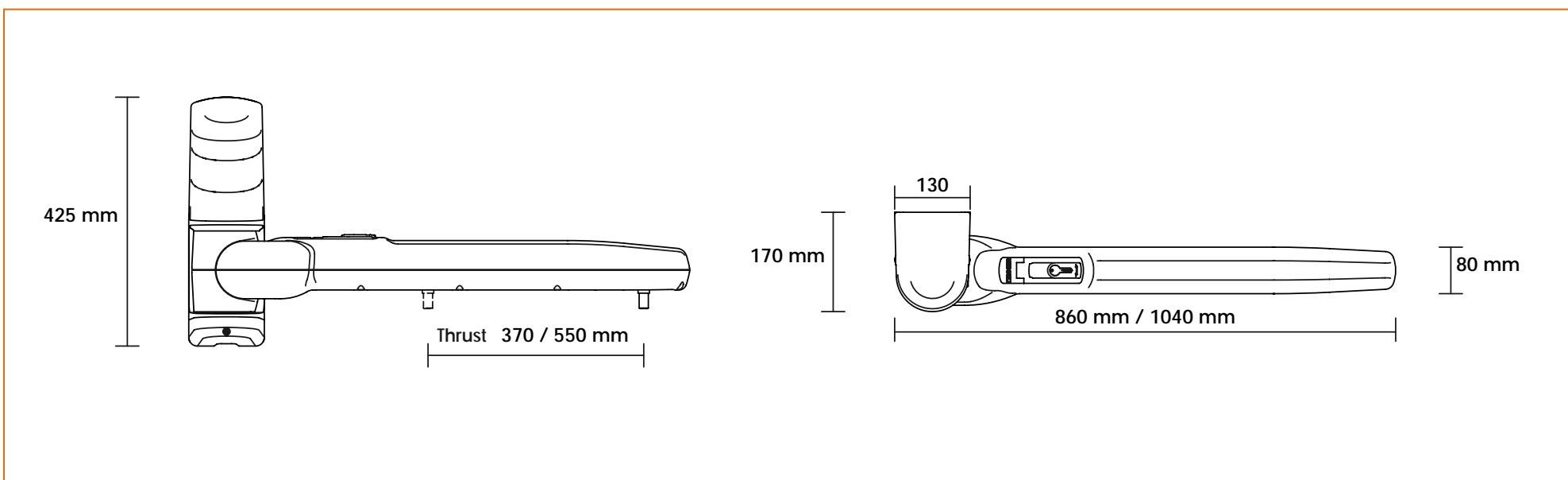
H20/555 long slow • without electronic



TECHNICAL DATA

H20		H20/370	H20/375	H20/550	H20/555
POWER SUPPLY	V	230 AC	230 AC Hz	230 AC Hz	230 AC Hz
RATING	W	200	215	200	215
CURRENT	A	1,1	1,2	1,1	1,2
THRUST	N	2500	2800	2500	2800
TRAVEL	mm	370	370	550	550
TIME FOR OPENING 90°	s	19"	28"	27"	42"
DUTY CYCLE	%	40	40	40	40
MOTOR OVERLOAD CUTOUT	°C	140	140	140	140
WORKING TEMPERATURE	°C	-20+70	-20+70	-20+70	-20+70
PROTECTION RATING	IP	43	43	43	43
SPEED	cm/s	1,66	1,06	1,66	1,06

DIMENSIONS



ACCESSORIES

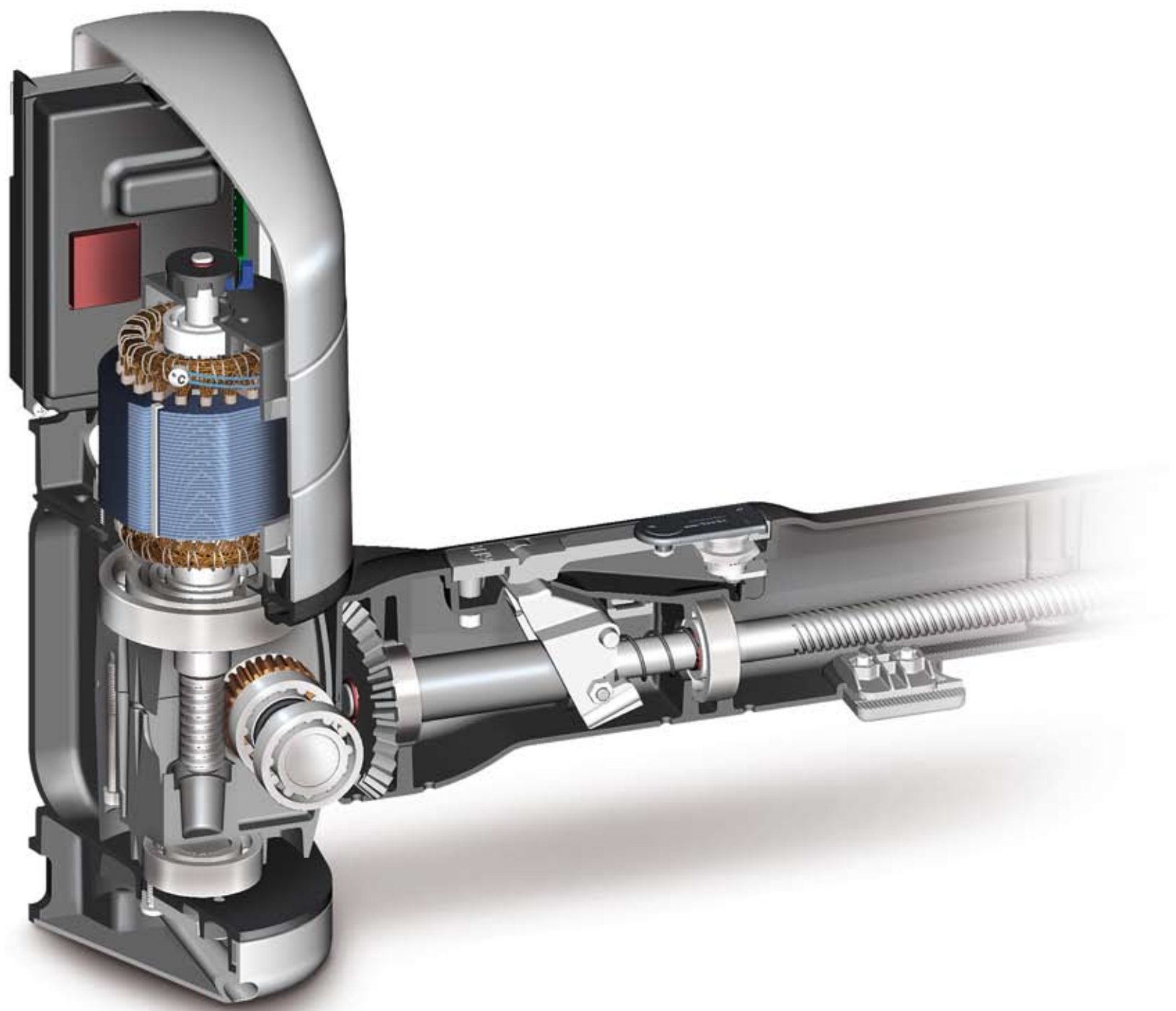


KT 201
long front hinge plate



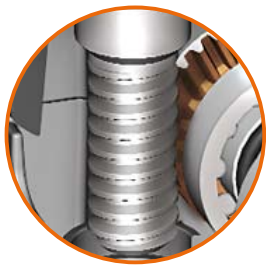
KT 202
short front hinge plate

“H20 style Roger Technology conceived with logic”



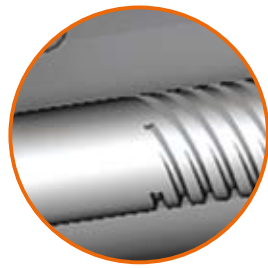
BIG AND STURDY AT THE RIGHT PLACE

11 ball-bearings, for a movement precise and safe.



BRONZE AND STEEL FOR PERFECT MATING

Bronze crown gear and steel worm screw with precision finishing and hardening of the thread to ensure perfect, low-noise and durable mating.



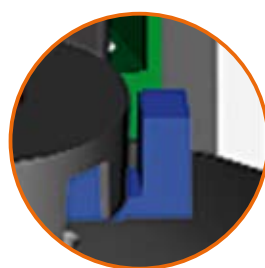
FORCEFULLY SLOW

The worm screw is made from a single steel rod. The lack of joints ensures high rigidity and total transmission of force.



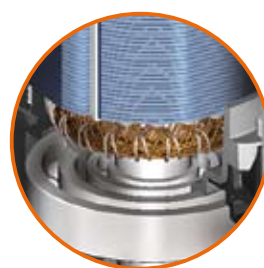
SMOOTH AND GRADUAL RELEASE

The release handle comes with customized key and allows the gate to be moved manually with a smooth, gradual movement thanks to an original cam with variable profile.



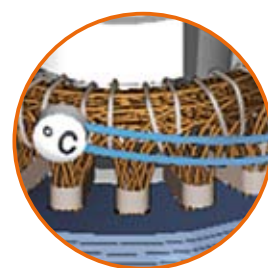
CONTROL AND SAFETY

Optical encoder for constant control of gate movement.



SAFE CONNECTION

Always wheel round about a motor



ALL-ROUND PROTECTION

Electric motor protected by a sensitive safety thermostat.