

## SLIDING SERIES M30

### SPECIAL PERFORMANCE

Electro-mechanical reduction gear available in 2 versions, for sliding gates up to 300 kg. The main structure is in die-cast aluminium, stove-enamelled with specific epoxy resins for outdoors.

### VERSIONS

**M30/323** 230V • with built-in control unit • gate stop

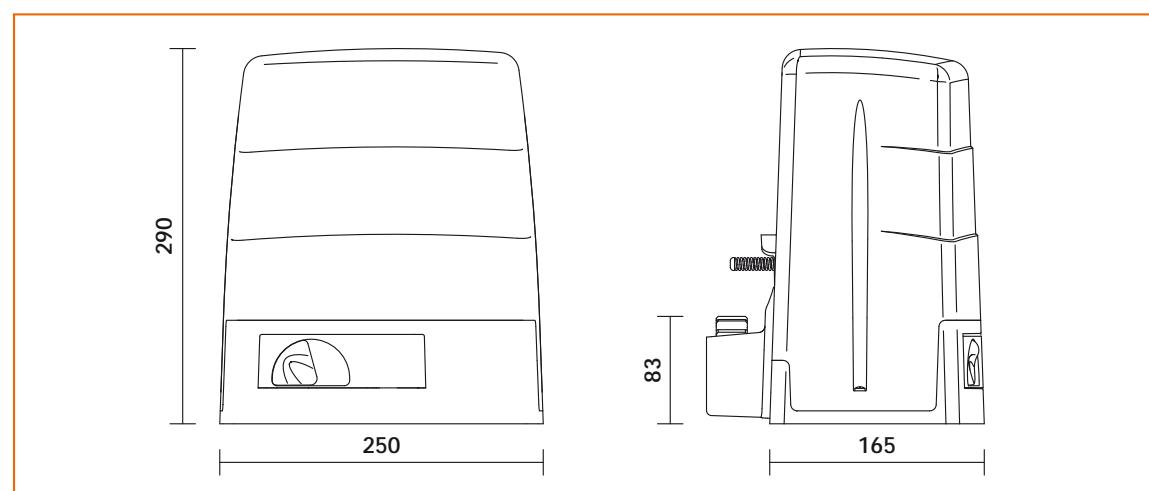
**M30/324** 230V • with built-in control unit • magnetic gate stop

### TECHNICAL DATA

| M30                   |       | M30/323 | M30/324 |
|-----------------------|-------|---------|---------|
| POWER SUPPLY          | V     | 230     |         |
| RATING                | W     | 210     |         |
| THRUST                | N     | 250     |         |
| DUTY CYCLE            | %     | 50      |         |
| MOTOR OVERLOAD CUTOUT | °C    | 150     |         |
| WORKING TEMPERATURE   | °C    | -20+70  |         |
| SPEED OF MOVEMENT     | m/min | 9,5     |         |
| MAX GATE WEIGHT       | Kg    | 300     |         |



### DIMENSIONS



### KIT



#### KIT M30

- 1 motor M30/... with control unit built in
- 2 remote control H80/TX22
- 1 photocells R90/F1E
- 1 radio receiver H93/RX22/I
- 1 flashing light R92/LR1
- 1 antenna for flashing light R91/AN1/LR1

#### VERSIONS KIT M30

- KIT M30/325 sliding gate automation up to 300 kg • gate stop
- KIT M30/326 sliding gate automation up to 300 kg • magnetic gate stop

### ACCESSORIES



**GA550**  
galvanised steel rack  
22x22x1000  
module 4



**GA551**  
galvanised steel rack  
30x12x1000  
module 4 complete  
with spacers and screws



**GA552**  
nylon rack module 4 with  
4 connectors  
L 1000



**GA553**  
nylon rack module 4 with  
6 connectors  
L 1000



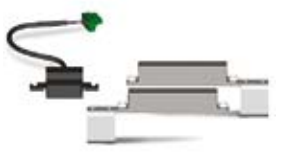
**MC758**  
gate stop  
for control unit H70/100AC



**MC759**  
gate stop kit  
for control unit H70/100AC



**MC760**  
magnetic gate stop  
for control unit H70/100AC



**MC761**  
magnetic gate stop kit  
for control unit H70/100AC



**MC772**  
gate stop  
for control unit H70/101AC



**MC773**  
gate stop  
kit for control unit H70/101AC



**MC 774**  
magnetic gate stop  
for control unit H70/101AC



**MC 775**  
magnetic gate stop kit  
for control unit H70/101AC

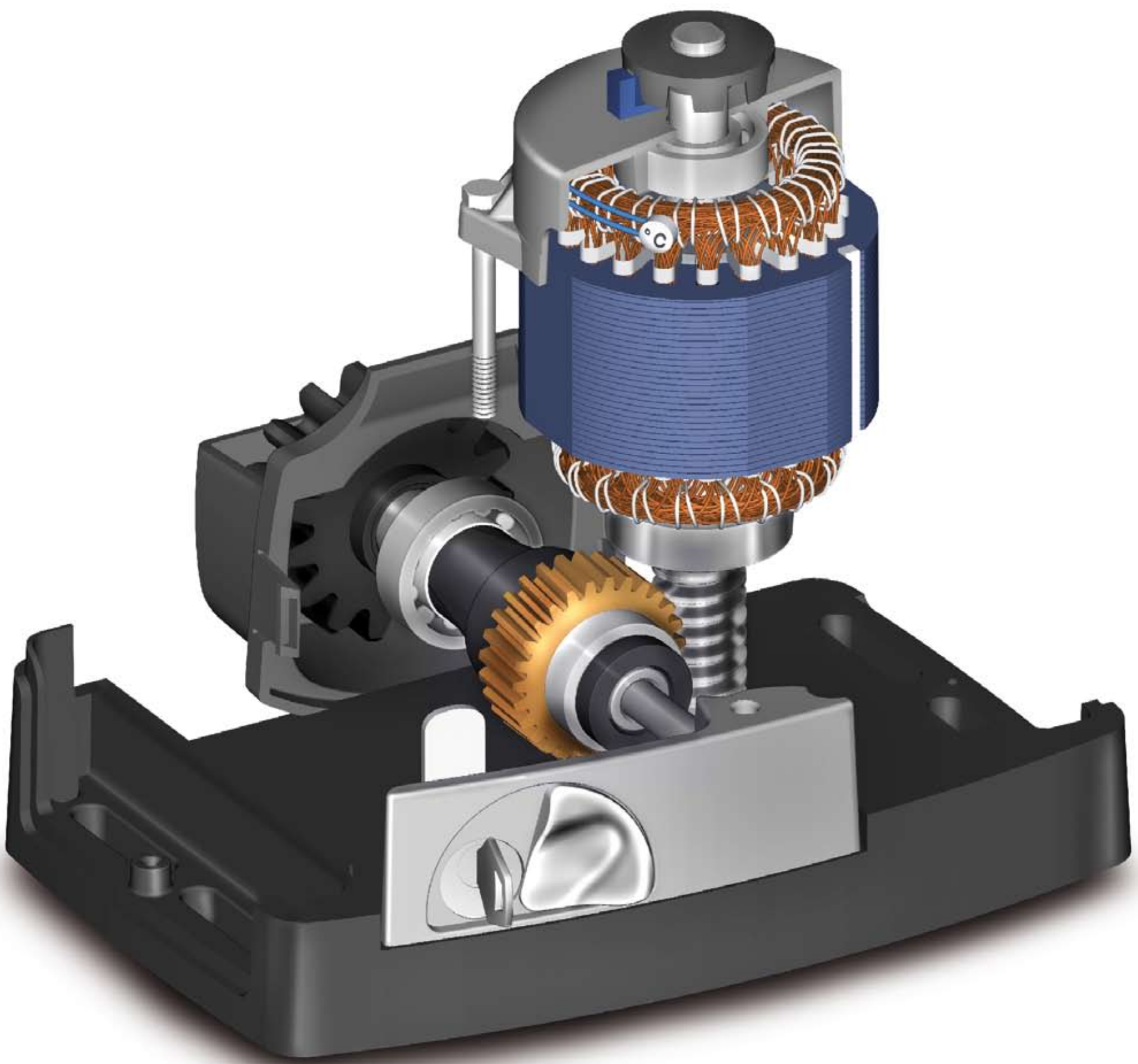


**KT220**  
raised fixing plate



**KT223**  
fixing plate  
complete with stay bolts and  
screws for M30

# “M30 style Roger Technology conceived with logic”



#### **SURE RELEASE**

The solid die-cast aluminium release handle with customized key allows release and manual movement of the gate at all time.



#### **EVERYTHING IN PLACE**

2 seals ensure perfect tightness with regard to the grease inside the reduction gear and at the same time keep water out.



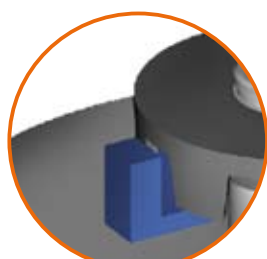
#### **SOLID AND RELIABLE**

The main structure is in die-cast aluminium.



#### **SMOOTH MOVEMENT**

Worm screw in special steel with precision finish and hardening of the thread.



#### **CONTROL AND SAFETY**

Optical encoder for constant control of gate movement.



#### **ALL-ROUND PROTECTION**

Electric motor protected by a sensitive safety thermostat.



#### **TOTAL PROTECTION**

Outgoing gear fully protected by an affective plastic shell.