

## SERIES M40 SECTIONAL DOOR AUTOMATION

### IDEAL SOLUTION FOR RESIDENTIAL SECTIONAL DOORS

Electro-mechanical chain system, ideal for residential sectional doors.  
An exclusive, sturdy extruded aluminium rail, protects and guides the chain for long-lasting silent operation.

### VERSIONS

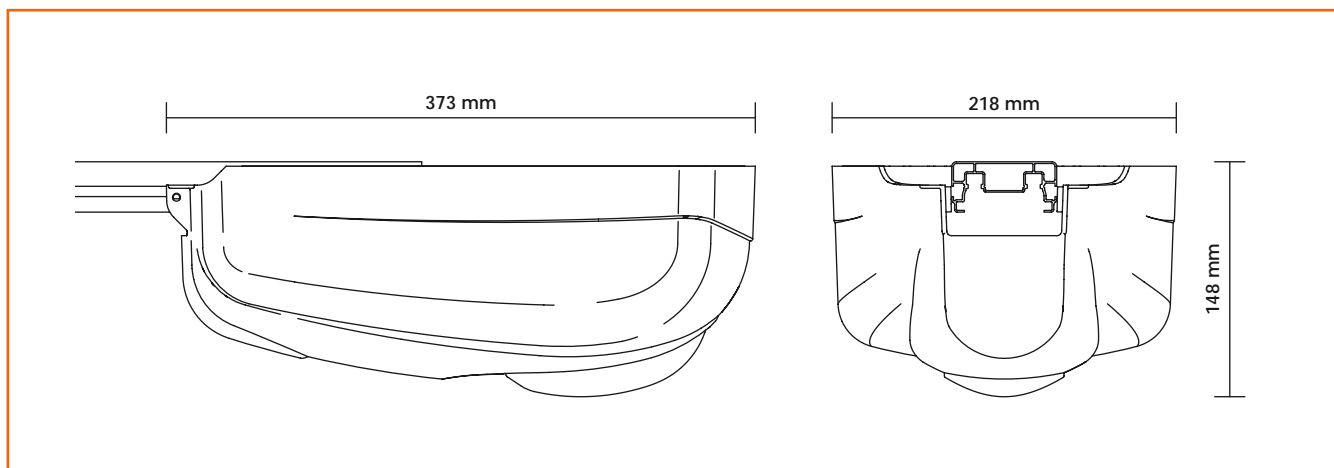
- M40/654** 230V • control unit with supports and accessories for M40 series • without motor
- M40/G3065M** chain track, length 3 metres • with motor 650N



### TECHNICAL DATA

M40		M40/654
POWER SUPPLY	v	230
LINE ABSORPTION	A	1,1
MAX THRUST	N	650
DUTY CYCLE	%	50
WORKING TEMPERATURE	°C	-20+70
PROTECTION RATING	IP	40
LOW SPEED	cm/s	9
STANDARD SPEED	cm/s	12
HIGH SPEED	Kg	15
MOTOR INPUT	W	200

### DIMENSIONS



### ACCESSORIES

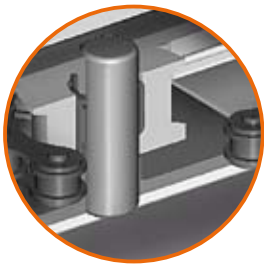
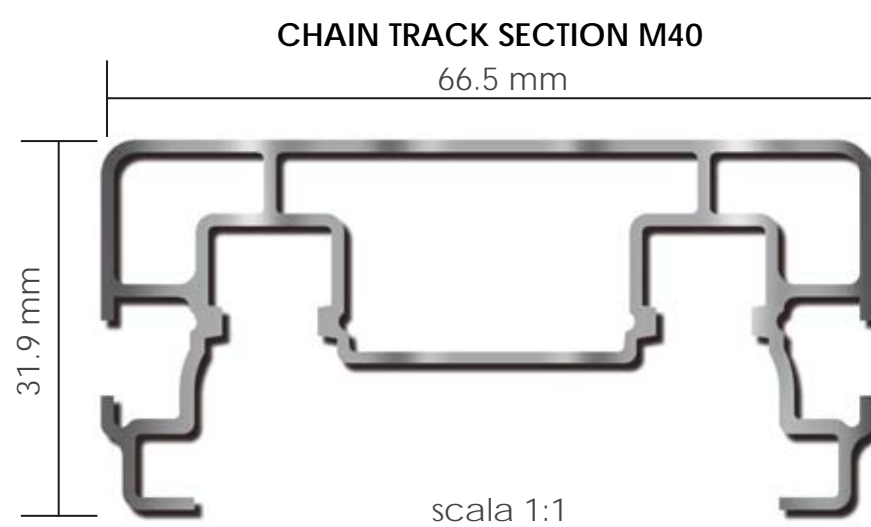
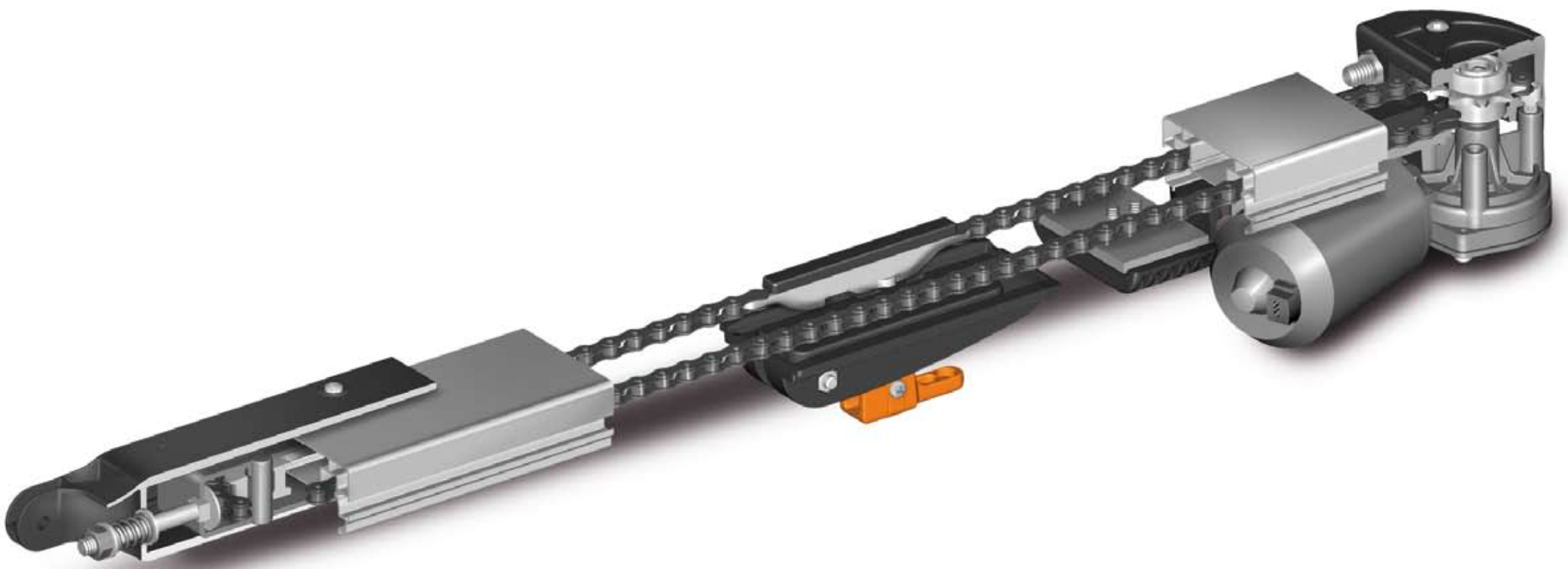


**RL654**  
kit for release from outside  
without handle



**RL655**  
kit for release from outside  
with handle

# “M40 style Roger Technology conceived with logic”



**RELIABLE  
TRASMISSION  
SUPPORT**

Transmission support system made with a chrome steel pulley complete with roller bearing and supporting pin in hardened and ground steel.



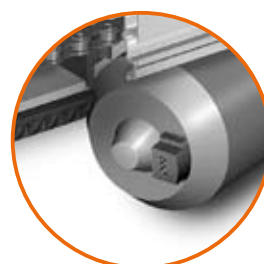
**EMERGENCY  
RELEASE**

Trolley complete with release lever for manual opening of the door in an emergency.



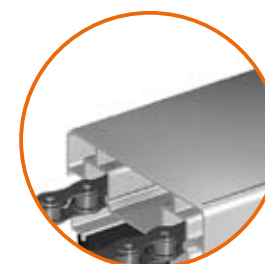
**STOP FOR  
OPEN  
POSITION**

Adjustable stop for opening movement, indispensable for the encoder positioning and safety system.



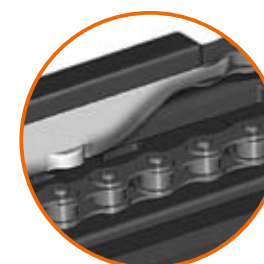
**CONTROLLED  
REDUCTION  
GEAR**

Encoder-controlled 24V dc motor ensuring an effective positioning and safety system.



**STREAMLINED  
YET STURDY**

Sturdy extruded aluminium rail just 32 mm thick, designed to guide the chain.



**FULL FORCE  
TRASMISSION**

Pre-tightened chain in hardened steel to ensure regular, long-lasting operation.