

SERIES R20 SWING GATE AUTOMATION

STURDY ELECTRO-MECHANICAL SYSTEM

Electro-mechanical reduction gear available in 4 versions, for hinged gates up to 5 metres wide at the most. The main frame is in die-cast aluminium stove-enamelled with specific epoxy resins for outdoors.

VERSIONS

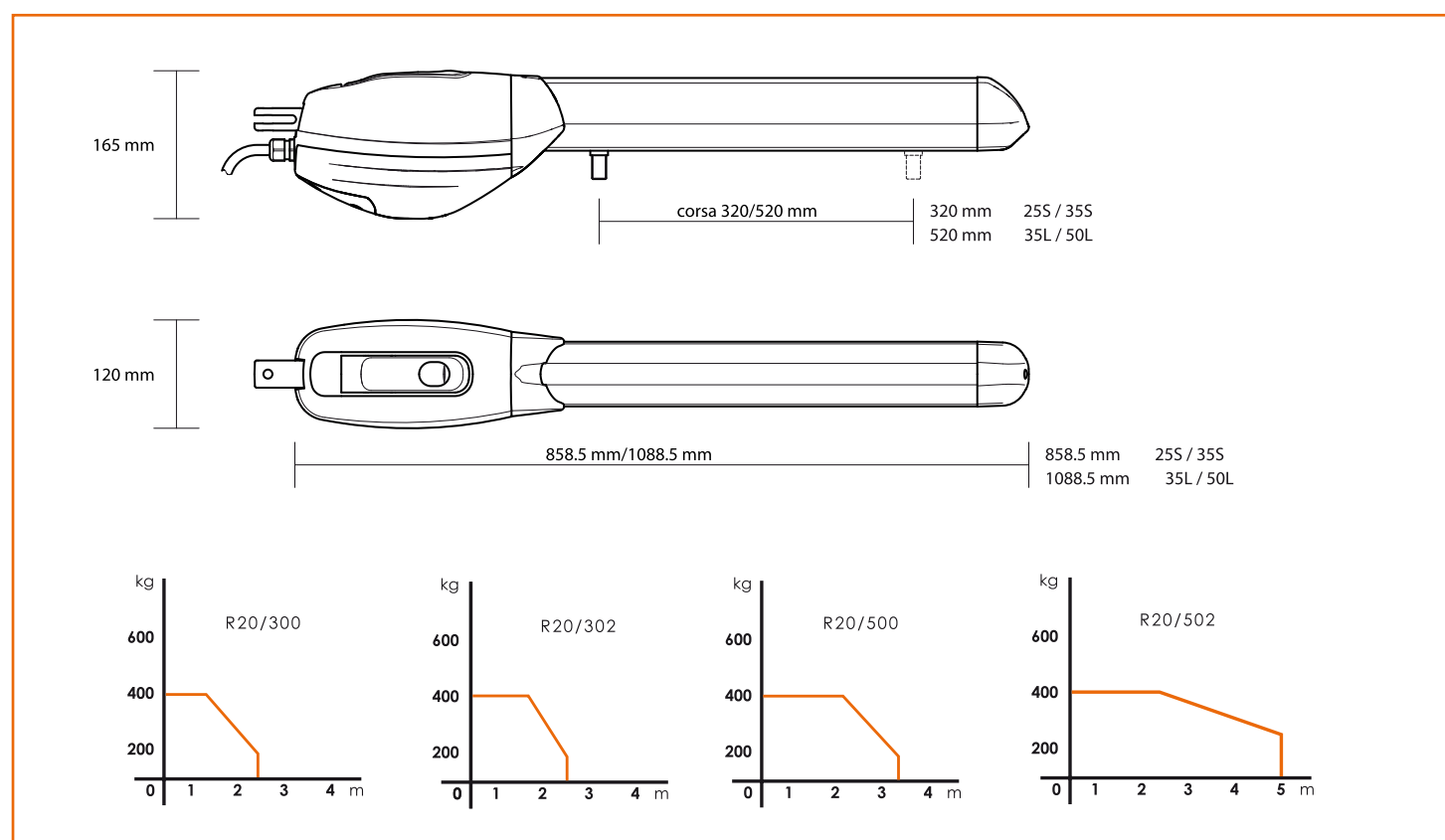
- R20/300** 230V • irreversible • short fast 1 micro
- R20/302** 230V • irreversible • short slow 1 micro
- R20/500** 230V • irreversible • long fast 1 micro
- R20/502** 230V • irreversible • long slow 1 micro



TECHNICAL DATA

		R20/300	R20/302	R20/500	R20/502
R20					
POWER SUPPLY	V	230 AC HZ	230 AC Hz	230 AC Hz	230 AC Hz
RATING	W	200	215	200	215
CURRENT	A	1,1	1,2	1,1	1,2
THRUST	N	2500	2800	2500	2800
TRAVEL	mm	320	320	520	520
TIME FOR OPENING 90°	s	19"	28"	27"	42"
DUTY CYCLE	%	40	40	40	40
MOTOR OVERLOAD CUTOUT	°C	140	140	140	140
WORKING TEMPERATURE	°C	-20+70	-20+70	-20+70	-20+70
PROTECTION RATING	IP	43	43	43	43
WEIGHT	kg	7,2	7,2	7,8	7,8
BUILT-IN CAPACITOR	µF	16	8	16	8
SPEED	cm/s	1,66	1,06	1,66	1,06

DIMENSIONS



KIT



KIT R20

- 2 motor R20/...
- 2 remote control H80/TX22
- 1 photocells R90/F1E
- 1 radio receiver R93/RX12/I
- 1 control unit R70/2AC
- 1 flashing light R92/LR1
- 1 antenna for flashing light R91/AN1/LR1

VERSIONS KIT R20

- KIT R20/312 swing gate automation up to 3 metres • short fast 1 micro
- KIT R20/512 swing gate automation up to 5 metres • long fast 1 micro

ACCESSORIES



KT 201
long front hinge plate



KT 202
short front hinge plate



KT 203
long rear hinge plate



KT 204
short rear hinge plate



KT 205
3 hinge plates long series kit



KT 206
3 hinge plates short series kit

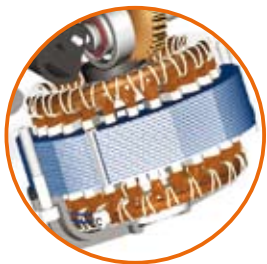


MC 750
limit switch with cable kit



MC 770
gate stop kit optional for the second micro for R20 (V1)

“R20 style Roger Technology conceived with logic”



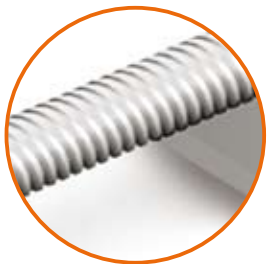
INCLINED MOTOR

The inclined motor ensures an excellent very high efficiency mechanical arrangement using just one gear.



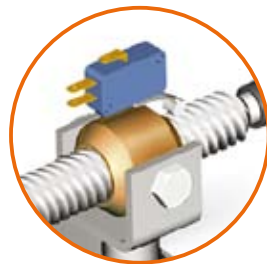
SELF-SUPPORTING TRESTLE

The aluminium section is connected to the motor housing by means of three stay bolts in a trestle arrangement thereby guaranteeing a solid, compact structure.



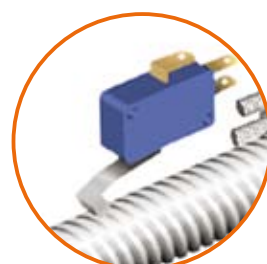
FORCEFULLY SLOW

The worm screw is made from a single steel rod. The lack of joints ensures high rigidity and total transmission of force.



BRONZE “STEEL IS MY FAVOURITE”

The lead screw has the hardest task of all the parts, that of transmitting the energy of the motor to the gate. Made in bronze and couple to the low-speed screw. It efficiently accomplishes its task.



CONVENIENT LIMIT SWITCH

The limit switch is housed directly in the aluminium section and protected by a removable cover. It is easy to adjust even with the actuator mounted.



STURDY AND RELIABLE

The load-bearing structure and the bearing housings are made in die-cast aluminium.



SMOOTH AND GRADUAL RELEASE

The release handle comes with customized keys and allows the gate to be moved manually with a smooth, gradual movement thanks to an original cam with variable profile.