

SERIES R23 SWING GATE AUTOMATION

MOVIMENT SAFE

Electro-mechanical reduction gear for swing gates for residential use up to 3,5 metres in width; ideal for gates with large posts, it comes complete with release handle with protected and customized key and is set up for external opening with pull cord. The main structure is in die-cast aluminium and the steel gears ensure lastingly constant and silent operation.

VERSIONS

R23/371 230V • irreversible • gate stop • without arms

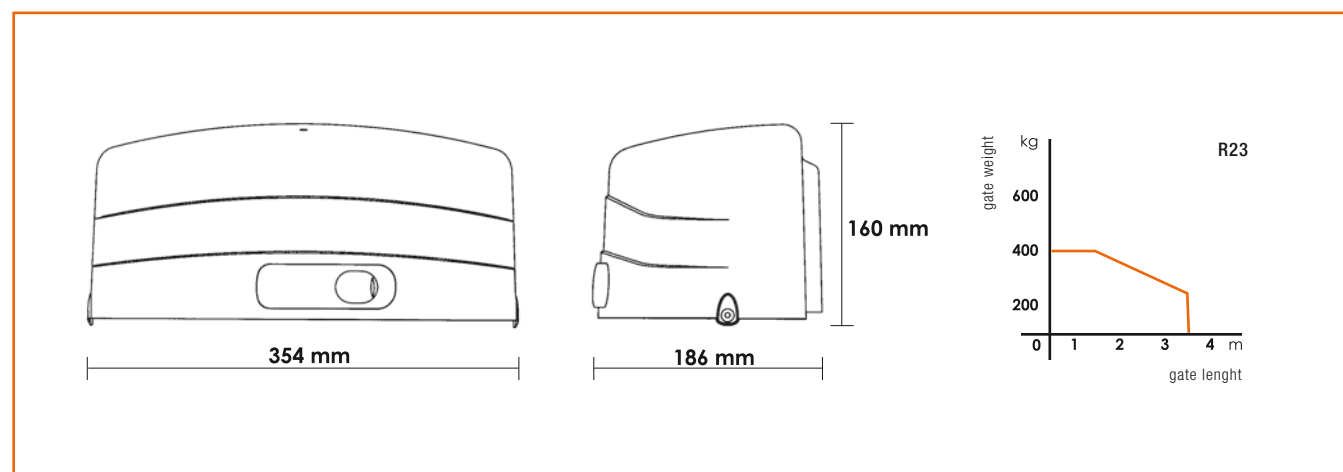
R23/372 230V • irreversible • gate stop • with STD shorts arms



TECHNICAL DATA

R23		R23/371 R23/372
POWER SUPPLY	V	230/50Hz
RATING	W	200
MAX THRUST	N	400
PROTECTION RATING	IP	43
DUTY CYCLE	%	50
MOTOR OVERLOAD CUTOUT	°C	140
WORKING TEMPERATURE	°C	-20+70
ACTUATOR WEIGHT	Kg	15,5
TIME FOR OPENING 90°	s	14

DIMENSIONS



ACCESSORIES



LT302

arm for short articulated joint



LT303

arm for long articulated joint



KT208

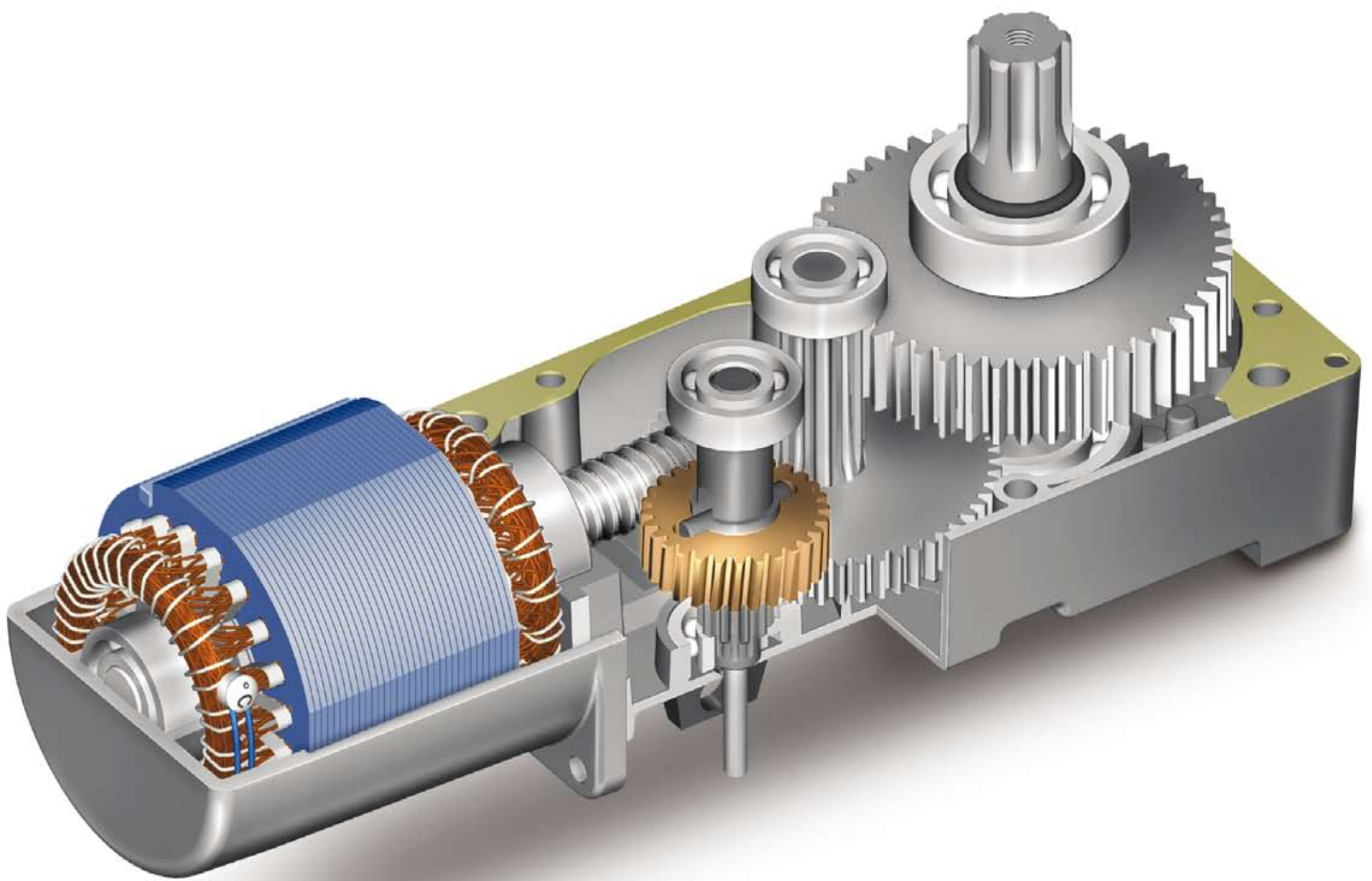
plate for fixing to post



KT218

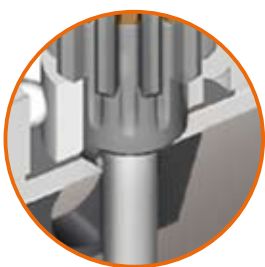
gate pull bracket

“R23 style Roger Technology conceived with logic”



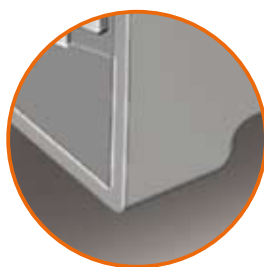
PRECISELY CENTRED

All the housings of the bearings and the motor assembly are turned and ensure long-lasting constant, perfect and silent rotation.



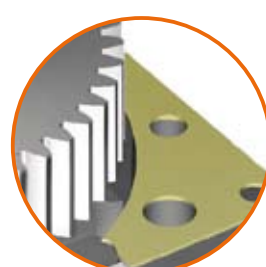
HARDENED STEEL

The two gears subject to most stress undergo heat treatment to make them strong and tough.



STURDY AND RELIABLE

The load-bearing structure and the bearing housings are made in die-cast aluminium.



PERFECT COUPLING

The two shells, meticulously milled and coupled with a gasket inserted between them, ensure perfect coupling and excellent grease tightness.



STEEL

All the gears are in steel and mounted on ball bearings lubricated with fluid grease; this ensures no noise and maximum life.



DRIVE

The transmission of movement is entrusted to the spline shaft with UNI 221 profile, which ensures excellent mating.



1400 PERFECT AND SILENT REVSPOR MINUTE

2 special precision bearings for electric motors protected by double lip seals and lubricated for life with high temperature grease.